

GELCOAT**Model 6296L-Z5****Model 6296L-Z5**

Left Hand Drain, Left Hand Vertical Bar, Left Hand L-Shape Bar
Left Hand Soap Dish, Left Hand Folding Seat

Model 6296R-Z5

Right Hand Drain, Left Hand Vertical Bar, Left Hand L-Shape Bar
Left Hand Soap Dish, Left Hand Folding Seat

Model 6296L-Z6

Left Hand Drain, Right Hand Vertical Bar, Right Hand L-Shape Bar
Right Hand Soap Dish, Right Hand Folding Seat

Model 6296R-Z6

Right Hand Drain, Right Hand Vertical Bar, Right Hand L-Shape Bar
Right Hand Soap Dish, Right Hand Folding Seat

Length: 62 3/4" (1594 mm)

Width: 40 1/8" (1019 mm)

Height: 78 3/8" (1991 mm)

Shipping Weight: 215 lbs (97.5 Kg)

Materials: Gelcoat finish reinforced with fibreglass.

Designed to comply with National Building Code 2015 (NBC)
Manitoba Building Code 2015, British Columbia Building Code 2018
& as well as the Alberta Building Code 2017.

When installed as per installation instructions, this shower
has a sloped threshold for easy wheelchair access,
while still retaining water within the shower.

Standard Features:

- No cracks or grout to harbour mildew or germs
- Easy to clean, chip resistant surface
- Moulded-in floor pattern
- Stainless steel grab bars
- Fold-up seat installed
- Stainless steel soap dish

Colours:

- Standard: White, Almond (Bone) or Biscuit
- Optional: Kohler Colours

Options:

- Reinforcements for hand showers, nurse call stations,
seats, etc.
- Stainless steel shower rod installed

Other Configuration:

- 2-piece knockdown (KD)
(Not available when folded seat is installed)

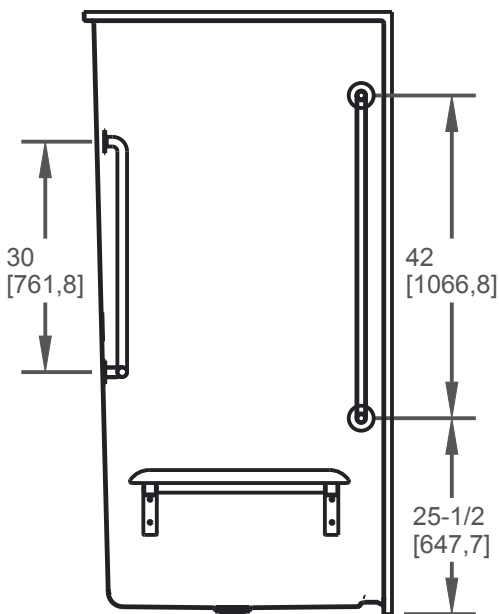
All products manufactured by Hytec are covered by
a comprehensive five-year limited warranty from the
date of sale to the original owner. See the Hytec
Bathing Fixtures List Price Book for further details.

Hytec Plumbing Products

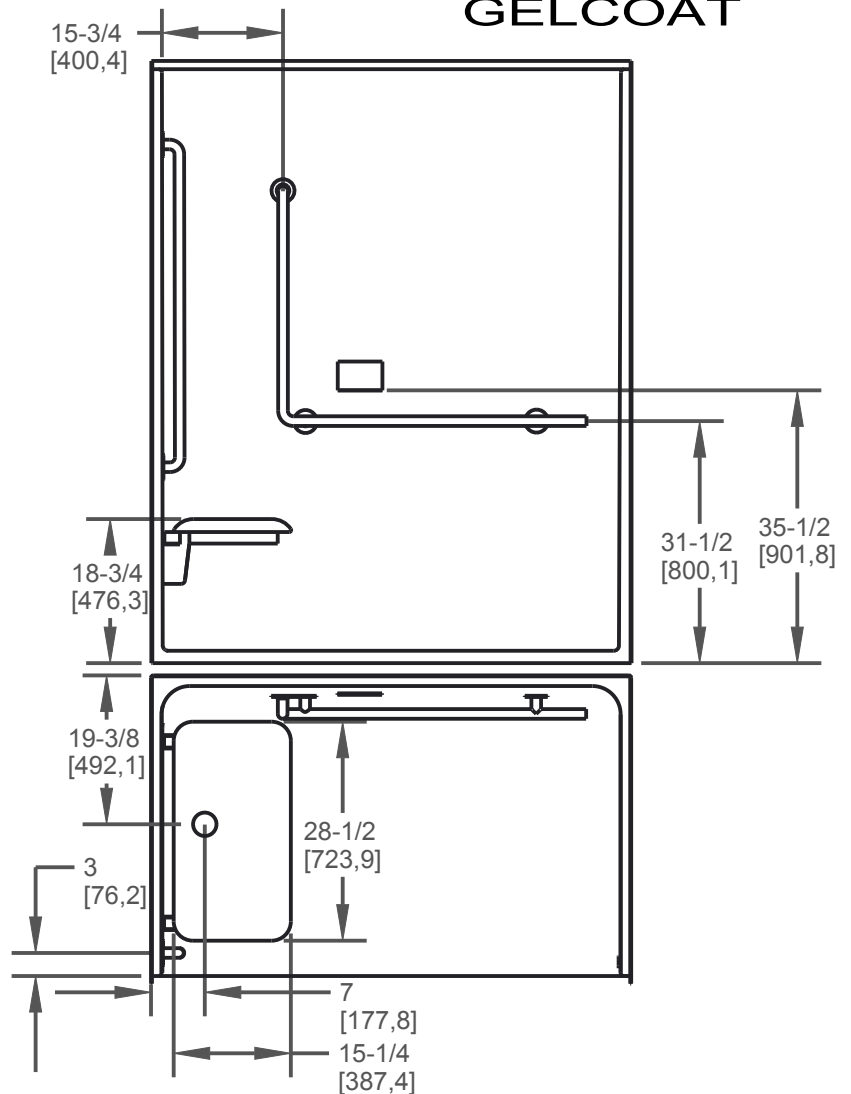
(Division of Kohler Canada Co.)
4150 Spallumcheen Dr, Armstrong BC V0E 1B6
Ph. (800) 871-8311 (250) 546-3196 Fax (250)
546-3170



GELCOAT



Model 6296L-Z5



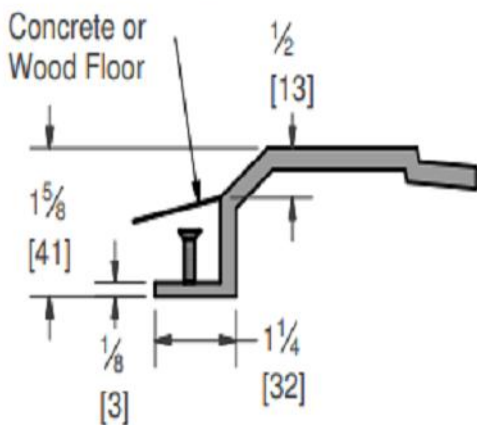
Measurement tolerances + 1/4" (6.3mm)

All bathing fixtures comply with the applicable Canadian Standards.

For installation procedures, please refer to instructions included with each unit.

This sheet approximately describes products and equipment manufactured or supplied by Hytec Plumbing Products. Because of ongoing efforts to improve both design and quality, products and equipment actually furnished may differ without prior notice.

Threshold Detail



Hytec Plumbing Products
 (Division of Kohler Canada Co.)
 4150 Spallumcheen Dr, Armstrong BC V0E 1B6
 Ph. (800) 871-8311 (250) 546-3196 Fax (250) 546-3170

